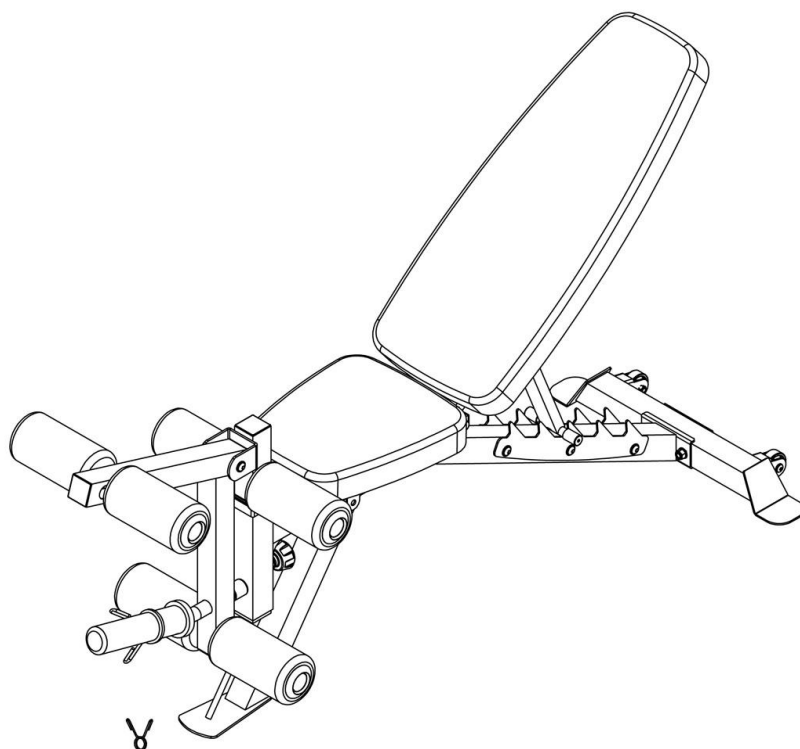


MARCY[®]

MARCY PRO UTILITY BENCH

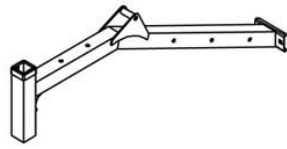
PM-5788



IMPORTANT: Please read the Important Safety Notice and Assembly Information in the Owner's manual before assembling this product.

Assembly Manual

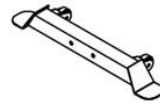
180709



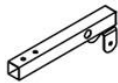
① × 1



② × 1



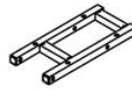
③ × 1



④ × 1



⑤ × 1



⑥ × 1



⑦ × 2



⑧ × 1



⑨ × 1



⑩ × 1



⑪ × 2



⑫ × 1



⑬ × 3



⑭ × 1



⑮ × 1



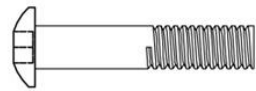
⑯ × 6



⑰ × 6



⑱ × 1



37 × 8



31 × 4



32 × 3



33 × 1



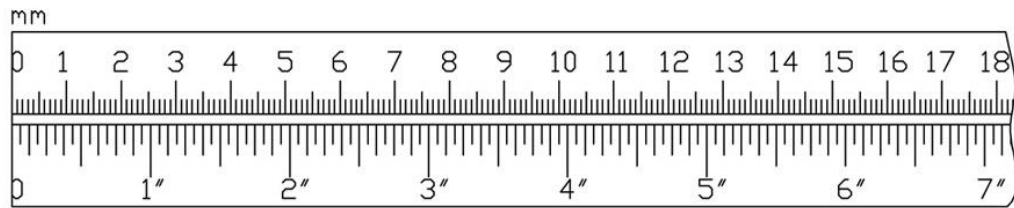
34 × 1

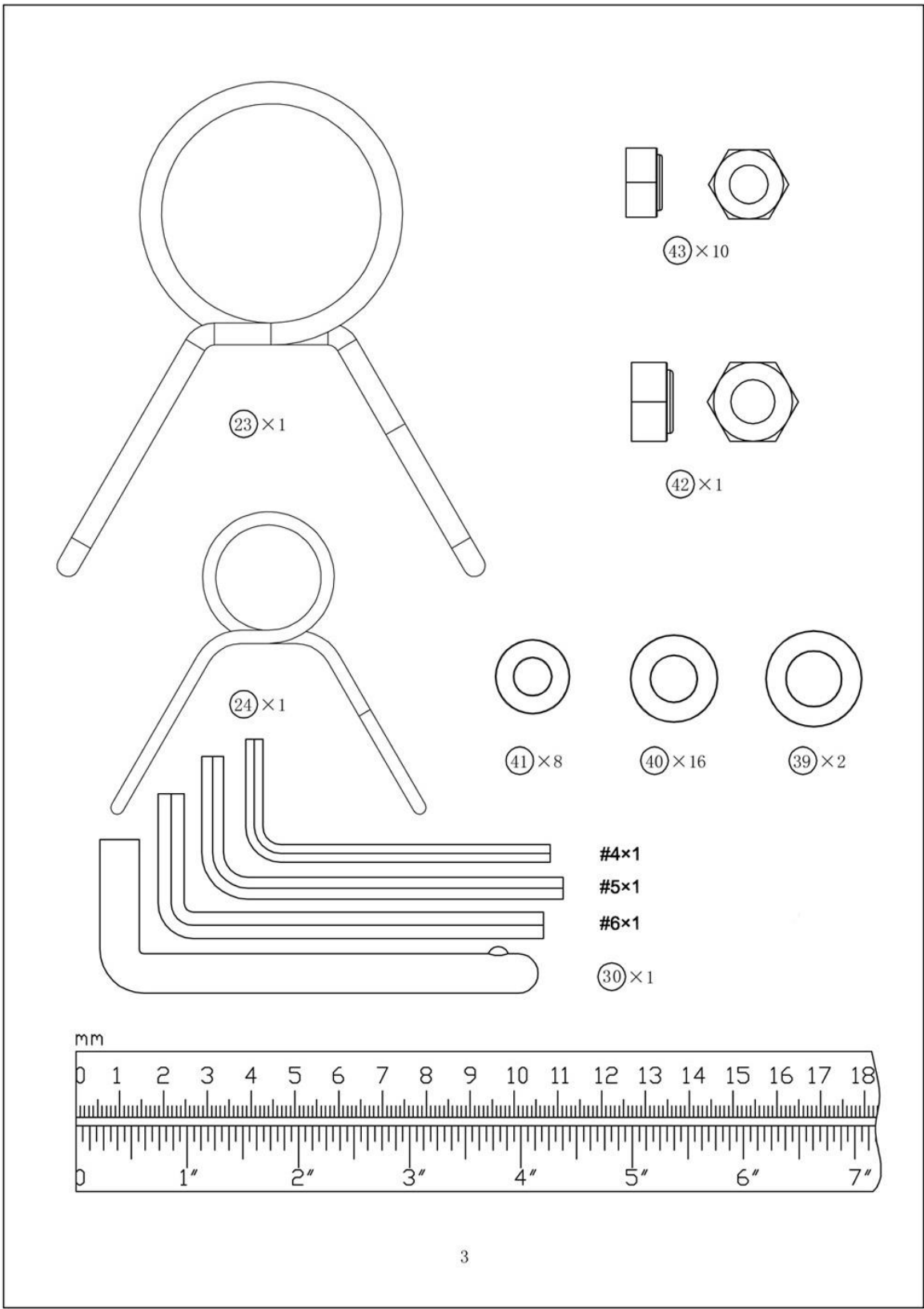


35 × 1



36 × 1

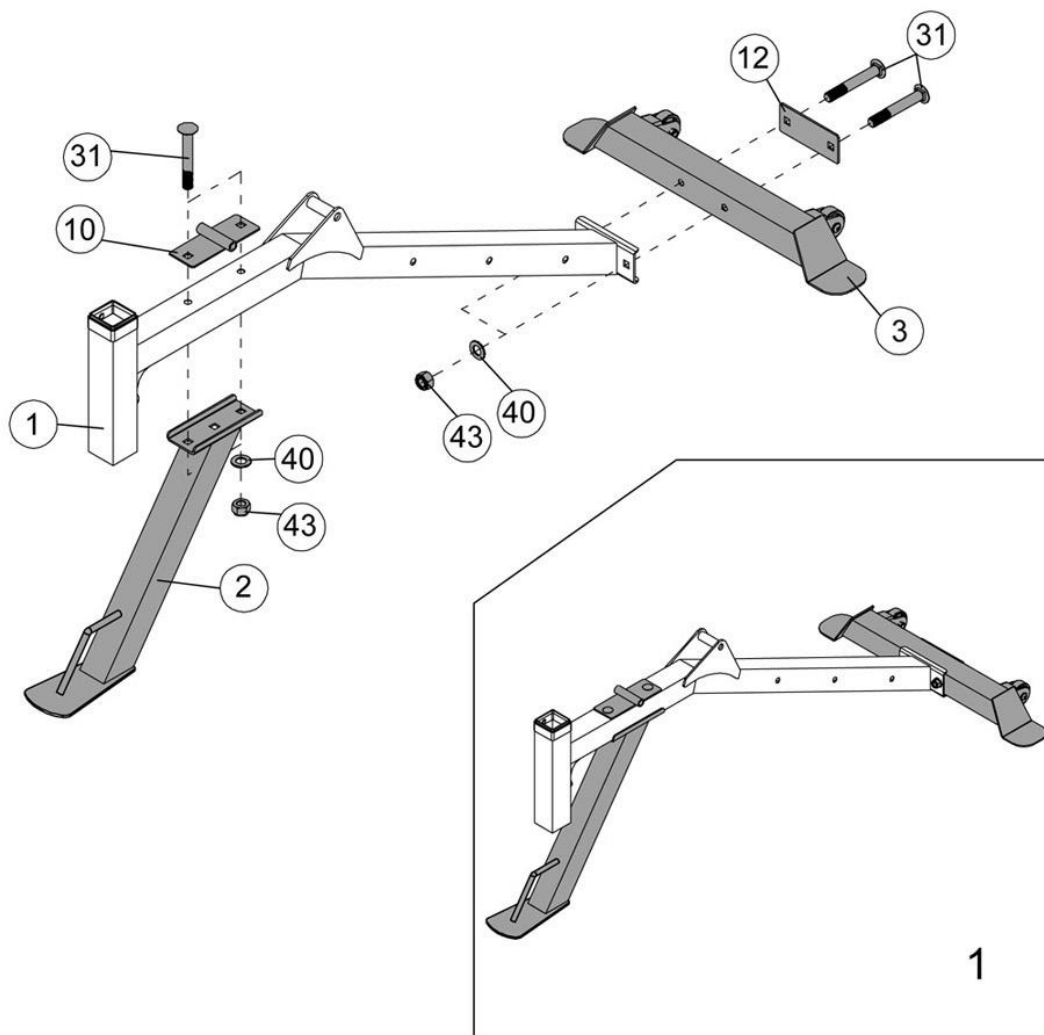
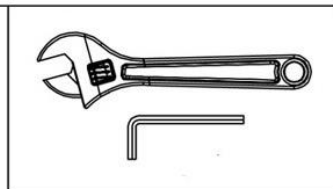




③①  ×4 M10×2 ¼"

④③  ×4 φ¾"

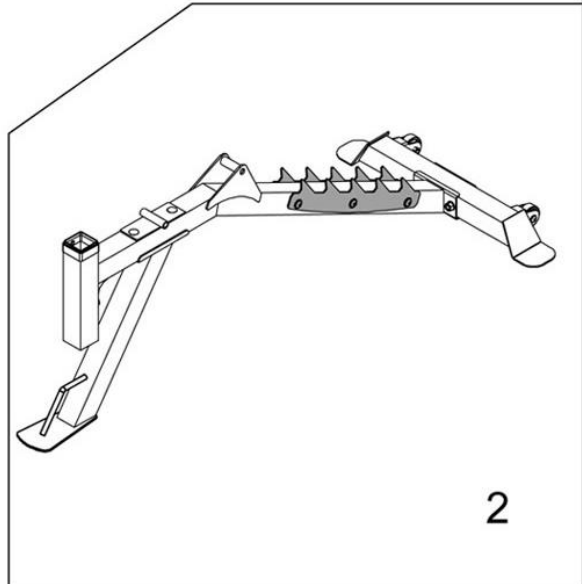
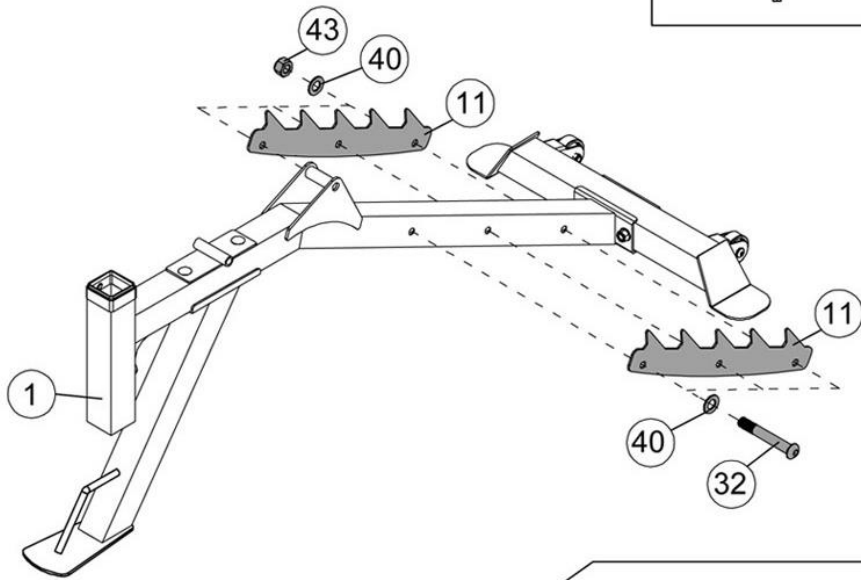
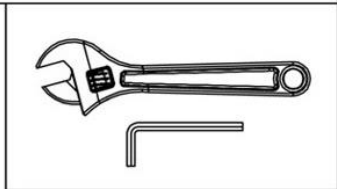
④③  ×4 M10

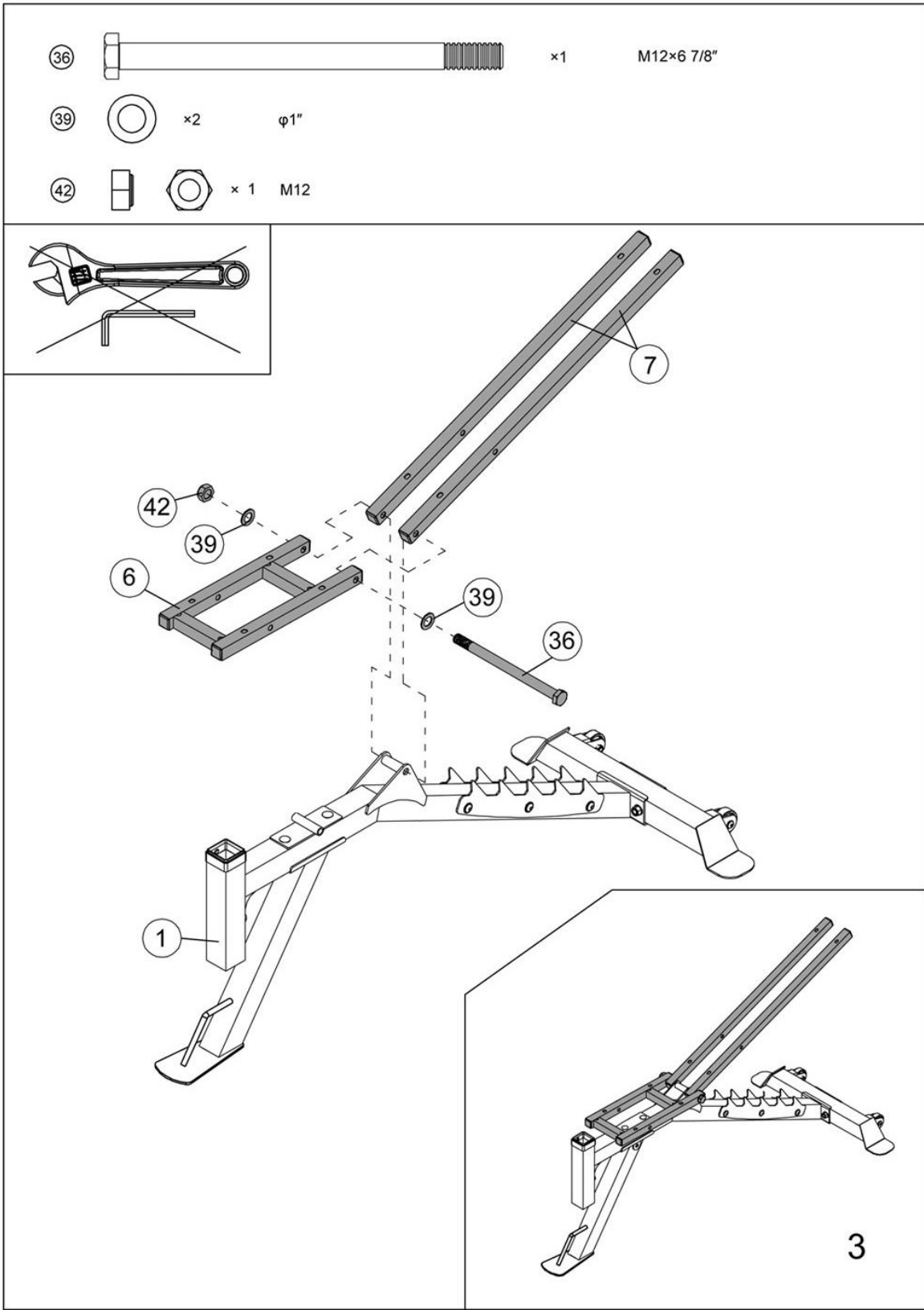



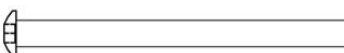


32  ×3 M10×2 3/4"

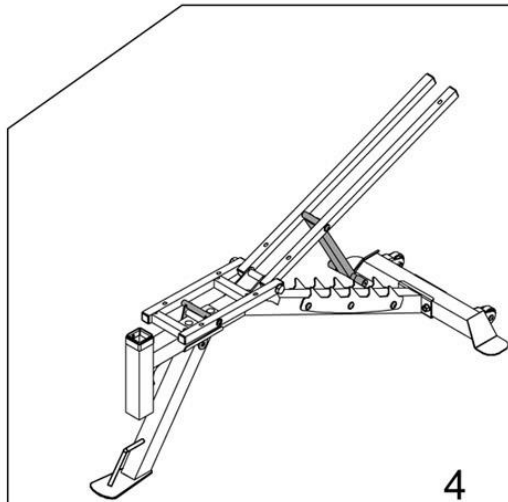
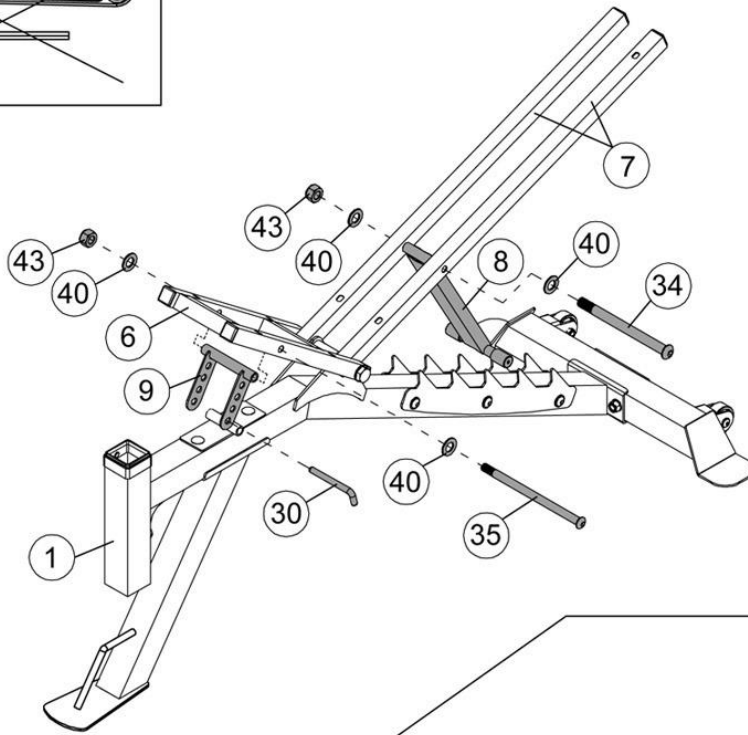
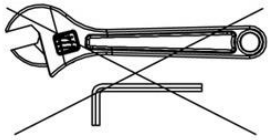
40  ×6 φ3/4"

43  ×3 M10



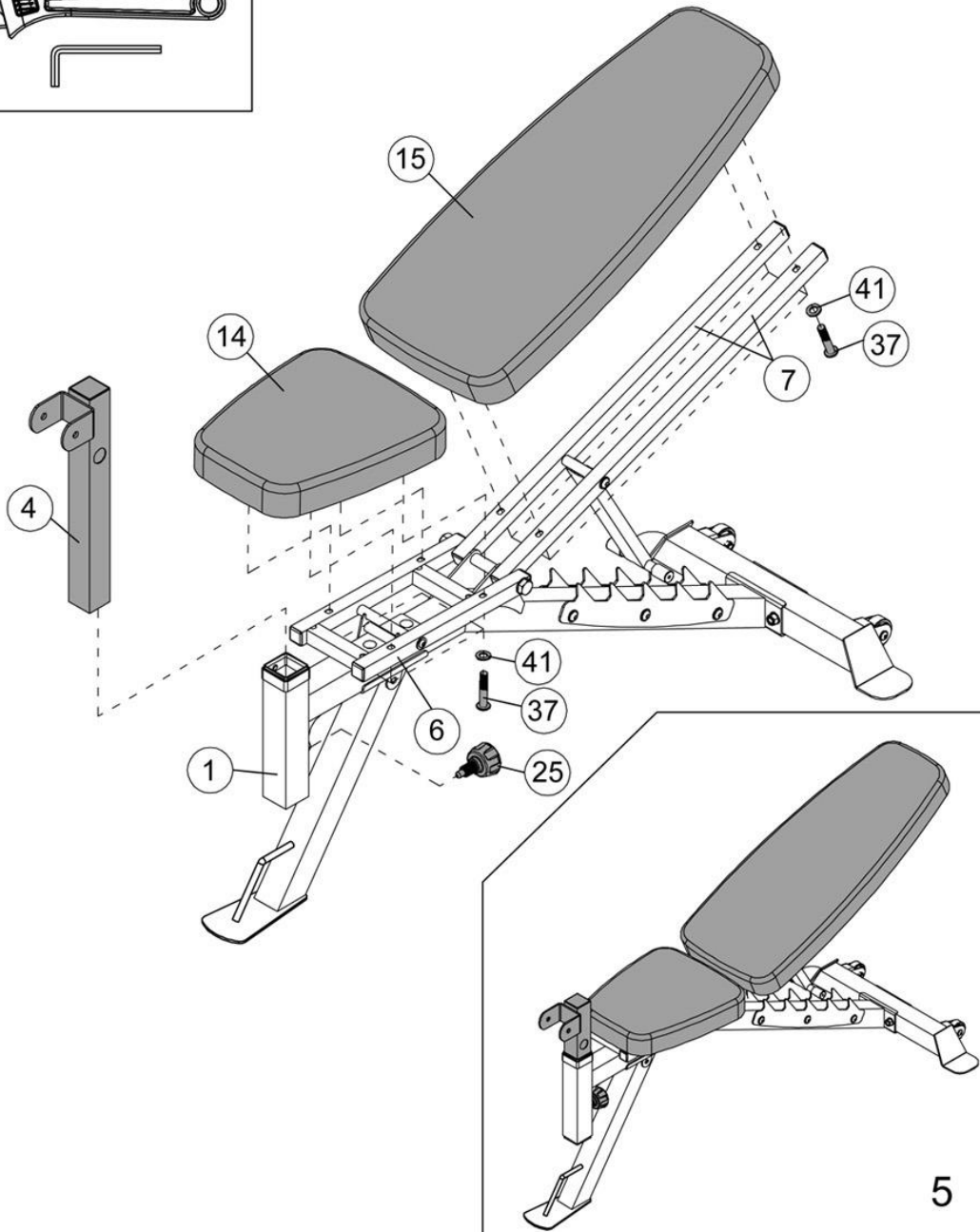


- ③④  ×1 M10×4 7/8"
- ③⑤  ×1 M10×6 7/8"
- ④①  ×4 $\phi 3/4"$
- ④③  ×2 M10



37  ×8 M8×1 5/8"

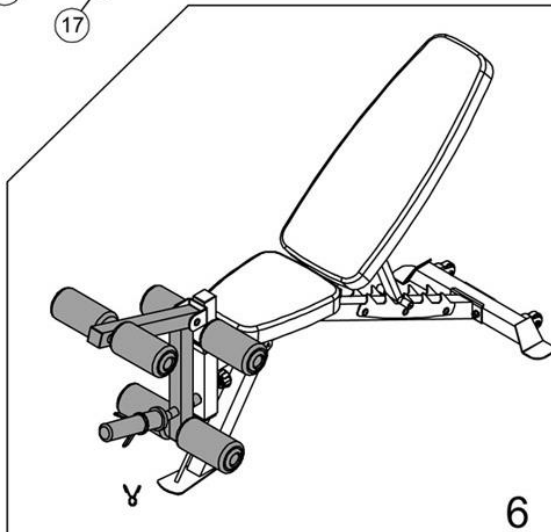
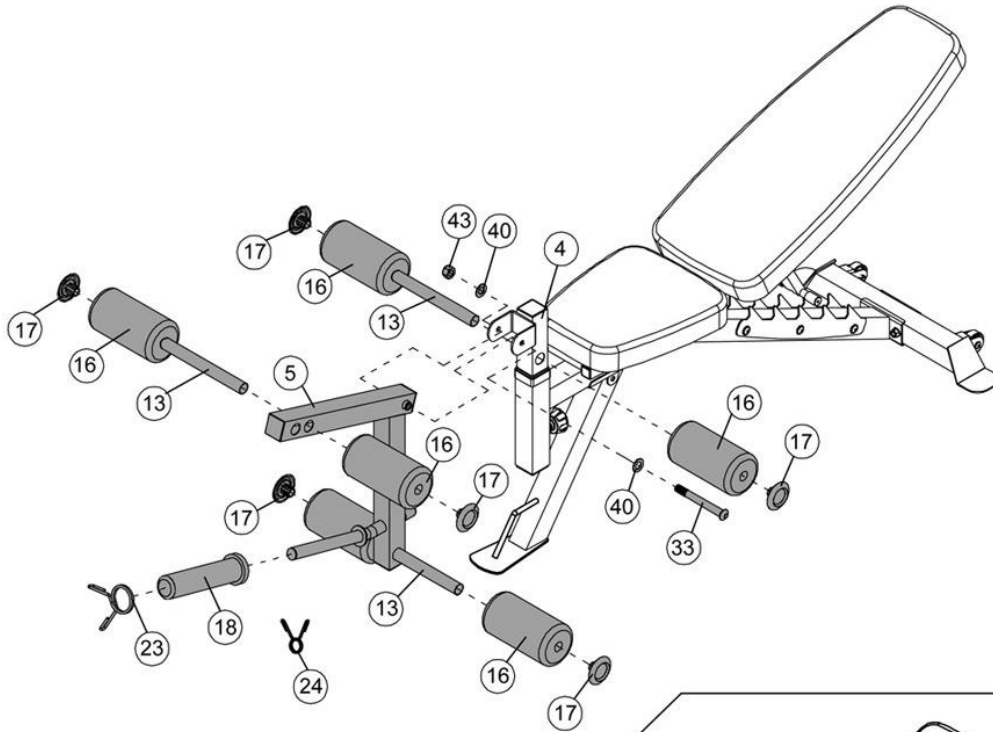
41  ×8 φ5/8"

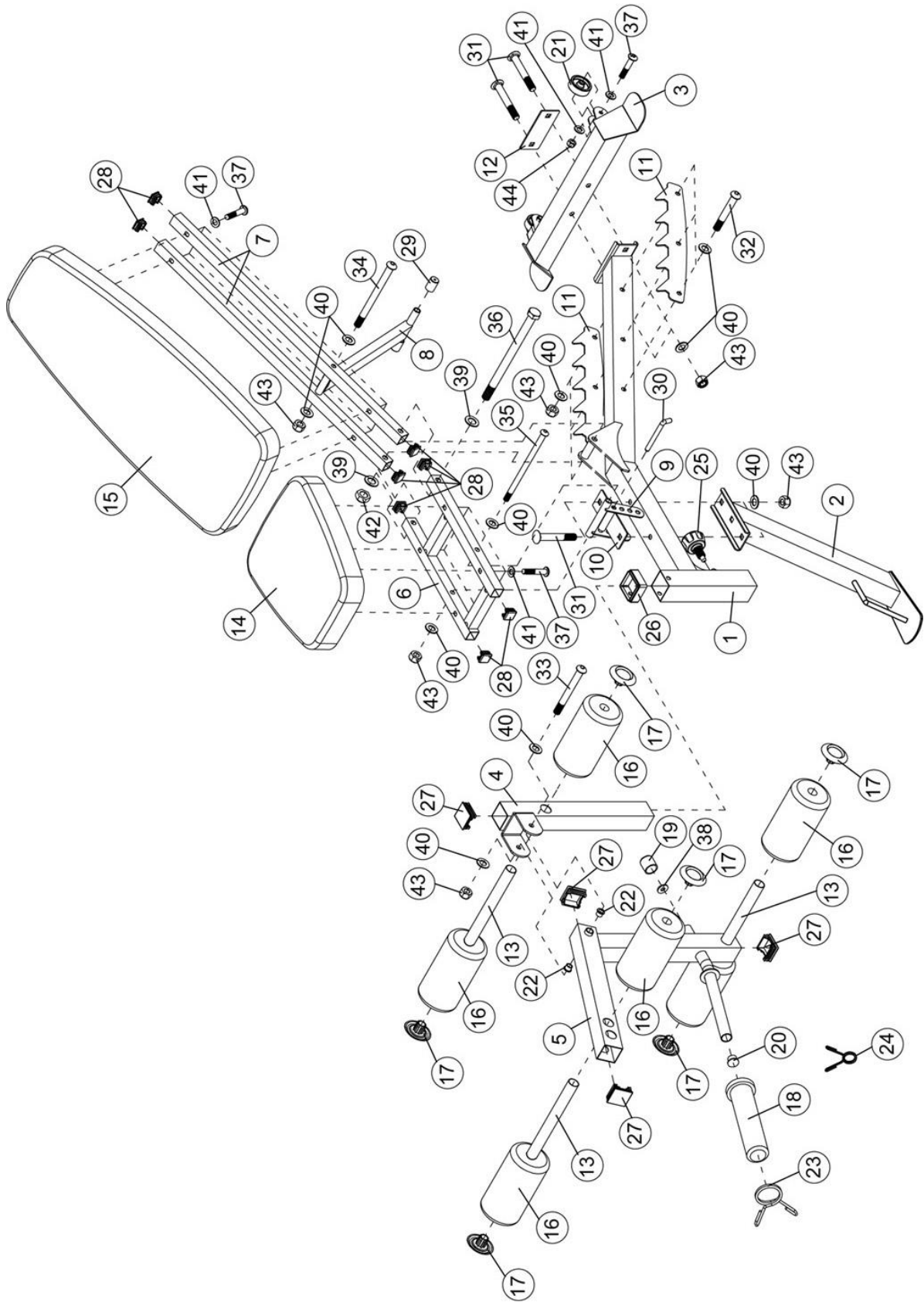


33  ×1 M10×3 1/2"

40  ×2 φ3/4"

43  ×1 M10





IMPEX® INC.

2801 S. Towne Ave, Pomona, CA 91766

Tel: (800) 999-8899 Fax: (626) 961-9966

www.marcypro.com

support@impex-fitness.com